

panel mounting socket outlet, angled - flange 85x85,  
fixing centers 70x70



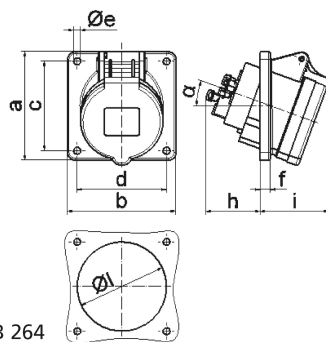
Product description	
BALS-Prd.-Nr	120277
EAN	4024941947879
product group	TE panel mounting socket outlet Quick-Connect, angled
current	32A
number of poles	5p
Arrangement of the phases	3p+N+PE
position of earth contact	5 h
voltage (V)	347/600 up to 400/690V
frequency	50 and 60Hz
protection degree	IP44
colour code	black RAL 9005
Colour of appliance	Hinged lid black, Enclosure grey

Product description	
connection design	screwless sping/cage/kontex
maximum conductor size (LQ)	10,0 qmm
cable entry (KE)	null
Height	102mm
Width	85mm
Depth	119mm
Flange size vertical	85mm
Flange size horizontal	85mm
Drill hole distance vertical	70mm
Drill hole distance horizontal	70mm
material of enclosure	Polyamide
contact	The contact carrier is made of high temperature resistant material, the contacts are brass nickel plated

Additional technical information	
	The inclination is 20°

Logistics data	
Weight/pcs	0.216 kg / Piece
Packaging	Bag
Content amount	1 ST
EAN	4024941947879

Logistics data	
Length	119 mm
Width	85 mm
Height	102 mm
Weight	0.217 kg
Volume	1,031.73 ccm
Packaging	Carton
Content amount	10 ST
EAN	4024941837941
Length	128 mm
Width	225 mm
Height	399 mm
Weight	2.419 kg
Volume	11,491.2 ccm



4 MB 264

Ampere Polzahl	16 3	16 4	16 5	32 3	32 4	32 5
a	85,0	85,0	85,0	85,0	85,0	85,0
b	85,0	85,0	85,0	85,0	85,0	85,0
c	70,0	70,0	70,0	70,0	70,0	70,0
d	70,0	70,0	70,0	70,0	70,0	70,0
e ø	5,5	5,5	5,5	5,5	5,5	5,5
f	8,0	8,0	8,0	8,0	8,0	8,0
h	46,0	46,0	46,0	55,0	55,0	55,0
i	50,0	51,0	54,0	60,0	60,0	60,0
l ø	57,0	65,0	70,0	78,0	78,0	78,0
α	20°	20°	20°	20°	20°	20°
Leiter mm² min	1,5	1,5	1,5	2,5	2,5	2,5
Leiter mm² max	4	4	4	10	10	10