

panel mounting socket outlet, angled - flange 100x92,
fixing centers 85x77

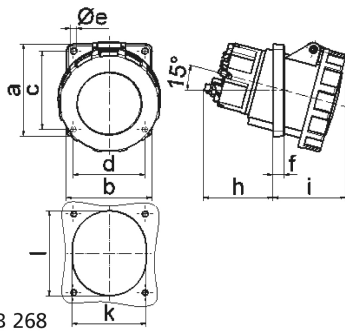


Product description	
BALS-Prd.-Nr	120274
EAN	4024941146845
product group	TE panel mounting socket outlet Quick-Connect, angled
current	63A
number of poles	5p
Arrangement of the phases	3p+N+PE
position of earth contact	6 h
voltage (V)	200/346 up to 240/415V

Product description	
frequency	50 and 60Hz
protection degree	IP67
colour code	red RAL 3000
Colour of appliance	Hinged lid red, Bayonet ring grey, Enclosure grey
connection design	screwless spring terminal
maximum conductor size (LQ)	25.0 qmm
cable entry (KE)	null
Height	120mm
Width	111mm
Depth	168mm
Flange size vertical	100mm
Flange size horizontal	92mm
Drill hole distance vertical	85mm
Drill hole distance horizontal	77mm
material of enclosure	Polyamide
contact	The contact carrier is made of high temperature resistant material, the contacts are brass nickel plated

Additional technical information	
	The inclination is 15°

Logistics data	
Weight/pcs	0.645 kg / Piece
Packaging	Bag
Content amount	1 ST
EAN	4024941146845
Length	159 mm
Width	95 mm
Height	114 mm
Weight	0.646 kg
Volume	1,721.97 ccm
Packaging	Carton
Content amount	10 ST
EAN	4024941949941
Length	295 mm
Width	185 mm
Height	215 mm
Weight	6.614 kg
Volume	9,975 ccm



4 MB 268

Ampere	63	63				
Polzahl	4	5				
a	100,0	100,0				
b	92,0	92,0				
c	85,0	85,0				
d	77,0	77,0				
e ø	6,5	6,5				
f	12,0	12,0				
h	74,0	74,0				
i	80,0	80,0				
k	80,0	80,0				
l	92,0	92,0				
Leiter mm ² min	6	6				
Leiter mm ² max	25	25				