

panel mounting socket outlet, angled - flange 114x114,
with electrical interlocking PSK

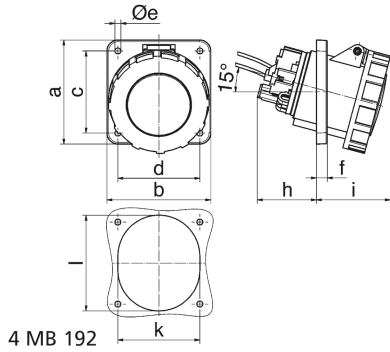


Product description	
BALS-Prd.-Nr	12025
EAN	4024941120258
product category (PG)	TE panel mounting socket outlet, angled
current (A)	125A
number of poles (P99)	5p
number of poles (P)	3p+N+PE
position of earth contact (H)	6 h
voltage (V)	200/346 up to 240/415V

Product description	
frequency (HZ)	50 and 60Hz
protection degree (SA)	IP67
colour code 1 (KF1)	red RAL 3000
Colour of appliance	Hinged lid red, Bayonet ring grey, Enclosure grey
connection design (AT)	screw terminal as box terminal with Kontex-contact
maximum conductor size (LQ)	70.0 qmm
cable entry (KE)	null
Height	135mm
Width	125mm
Depth	172mm
Flange size vertical	114mm
Flange size horizontal	114mm
Drill hole distance vertical	90mm
Drill hole distance horizontal	90mm
material of enclosure (GM)	Polyamide
contact	The contact carrier is made of high temperature resistant material, the contacts are brass nickel plated

Additional technical information	
	The inclination is 15°, electrically interlocked wit

Logistics data	
Weight/pcs	1.05 kg / Piece
Packaging	Bag
Content amount	1 ST
EAN	4024941120258
Length	172 mm
Width	125 mm
Height	135 mm
Weight	1.051 kg
Volume	2,902.5 ccm
Packaging	Carton
Content amount	5 ST
EAN	4024941936194
Length	325 mm
Width	217 mm
Height	210 mm
Weight	5.456 kg
Volume	13,588.4 ccm



Ampere Polzahl	63 4	63 5	125 4	125 5		
a	114,0	114,0	114,0	114,0		
b	114,0	114,0	114,0	114,0		
c	90,0	90,0	90,0	90,0		
d	90,0	90,0	90,0	90,0		
e ø	6,5	6,5	6,5	6,5		
f	12,0	12,0	12,0	12,0		
h	65,0	65,0	82,0	82,0		
i	81,0	81,0	90,0	90,0		
k	92,0	92,0	92,0	92,0		
l	92,0	92,0	105,0	105,0		
Leiter mm ² min	6	6	25	25		
Leiter mm ² max	25	25	70	70		