

panel mounting socket outlet, angled - flange 114x114, with electrical interlocking PSK

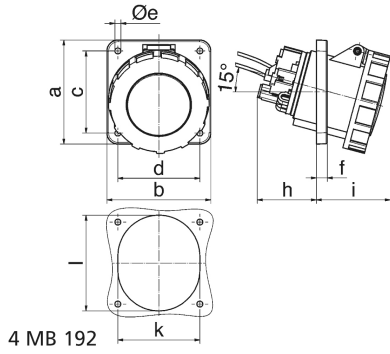


| Product description | |
|-------------------------------|---|
| BALS-Prd.-Nr | 12020 |
| EAN | 4024941120203 |
| product category (PG) | GT panel mounting socket outlet, angled |
| current (A) | 63A |
| number of poles (P99) | 5p |
| number of poles (P) | 3p+N+PE |
| position of earth contact (H) | 6 h |
| voltage (V) | 200/346 up to 240/415V |

| Product description | |
|--------------------------------|--|
| frequency (HZ) | 50 and 60Hz |
| protection degree (SA) | IP67 |
| colour code 1 (KF1) | red RAL 3000 |
| Colour of appliance | Hinged lid red, Bayonet ring grey, Enclosure grey |
| connection design (AT) | kontex contact |
| maximum conductor size (LQ) | 25.0 qmm |
| cable entry (KE) | null |
| Height | 125mm |
| Width | 114mm |
| Depth | 147mm |
| Flange size vertical | 114mm |
| Flange size horizontal | 114mm |
| Drill hole distance vertical | 90mm |
| Drill hole distance horizontal | 90mm |
| material of enclosure (GM) | Polyamide |
| contact | The contact carrier is made of high temperature resistant material, the contacts are brass nickel plated |

| Additional technical information | |
|----------------------------------|--|
| | The inclination is 15°, electrically interlocked wit |

| Logistics data | |
|----------------|-----------------|
| Weight/pcs | 0.62 kg / Piece |
| Packaging | Bag |
| Content amount | 1 ST |
| EAN | 4024941120203 |
| Length | 147 mm |
| Width | 114 mm |
| Height | 125 mm |
| Weight | 0.621 kg |
| Volume | 2,094.75 ccm |
| Packaging | Carton |
| Content amount | 5 ST |
| EAN | 4024941820318 |
| Length | 295 mm |
| Width | 185 mm |
| Height | 215 mm |
| Weight | 3.264 kg |
| Volume | 9,975 ccm |



| Ampere Polzahl | 63 4 | 63 5 | 125 4 | 125 5 | | |
|----------------------------|---------|---------|----------|----------|--|--|
| a | 114,0 | 114,0 | 114,0 | 114,0 | | |
| b | 114,0 | 114,0 | 114,0 | 114,0 | | |
| c | 90,0 | 90,0 | 90,0 | 90,0 | | |
| d | 90,0 | 90,0 | 90,0 | 90,0 | | |
| e ø | 6,5 | 6,5 | 6,5 | 6,5 | | |
| f | 12,0 | 12,0 | 12,0 | 12,0 | | |
| h | 65,0 | 65,0 | 82,0 | 82,0 | | |
| i | 81,0 | 81,0 | 90,0 | 90,0 | | |
| k | 92,0 | 92,0 | 92,0 | 92,0 | | |
| l | 92,0 | 92,0 | 105,0 | 105,0 | | |
| Leiter mm ² min | 6 | 6 | 25 | 25 | | |
| Leiter mm ² max | 25 | 25 | 70 | 70 | | |