

## wall mounting socket outlet, chemically resistant - housing dimensions 170x118



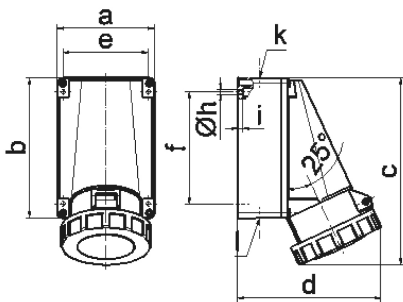
| Product description       |                                |
|---------------------------|--------------------------------|
| BALS-Prd.-Nr              | 11824                          |
| EAN                       | 4024941118248                  |
| product category          | TE wall mounting socket outlet |
| current                   | 63A                            |
| number of poles           | 4p                             |
| number of poles           | 3P+PE                          |
| position of earth contact | 7 h                            |
| voltage                   | 480 up to 500V                 |

| Product description    |  |
|------------------------|--|
| frequency              | 50 and 60Hz  |
| protection degree      | IP67   |
| colour code            | black RAL 9005   |
| Colour of appliance    | Bayonet ring lightbeige, Hinged lid black, Housing top lightbeige, Housing bottom lightbeige             |
| connection design      | screw terminal as box terminal with Kontex-contact   |
| maximum conductor size | 25.0 qmm   |
| cable entry            | top entry M40, bottom entry M32  |
| Height                 | 228mm  |
| Width                  | 118mm  |
| Depth                  | 176mm  |
| dimension of enclosure | 170x118 mm (HxW)   |
| material of enclosure  | Polycarbonate+Polyester light - beige  |
| contact                | The contact carrier is made of high temperature resistant material, the contacts are brass nickel plated |

| Additional technical information |   |
|----------------------------------|---|
|                                  | The cable entry is one at top open and two at bottom closed |
|                                  | Lower part of housing rotatable by 180°                     |

| Logistics data |                 |
|----------------|-----------------|
| Weight/pcs     | 0.92 kg / Piece |

| Logistics data |               |
|----------------|---------------|
| Packaging      | Bag           |
| Content amount | 1 ST          |
| EAN            | 4024941118248 |
| Length         | 176 mm        |
| Width          | 118 mm        |
| Height         | 228 mm        |
| Weight         | 0.921 kg      |
| Volume         | 4,735.104 ccm |
| Packaging      | Carton        |
| Content amount | 5 ST          |
| EAN            | 4024941820059 |
| Length         | 345 mm        |
| Width          | 345 mm        |
| Height         | 217 mm        |
| Weight         | 4.935 kg      |
| Volume         | 24,276 ccm    |



1 MB 3

| Ampere                     | 63     | 63     | 63     |  |  |  |  |
|----------------------------|--------|--------|--------|--|--|--|--|
| Polzahl                    | 3      | 4      | 5      |  |  |  |  |
| a                          | 118,0  | 118,0  | 118,0  |  |  |  |  |
| b                          | 170,0  | 170,0  | 170,0  |  |  |  |  |
| c                          | 228,0  | 228,0  | 228,0  |  |  |  |  |
| d                          | 176,0  | 176,0  | 176,0  |  |  |  |  |
| e                          | 104,0  | 104,0  | 104,0  |  |  |  |  |
| f                          | 136,0  | 136,0  | 136,0  |  |  |  |  |
| h ø                        | 6,1    | 6,1    | 6,1    |  |  |  |  |
| i                          | 6,0    | 6,0    | 6,0    |  |  |  |  |
| k                          | M40    | M40    | M40    |  |  |  |  |
| l                          | M32/32 | M32/32 | M32/32 |  |  |  |  |
| Leiter mm <sup>2</sup> min | 6      | 6      | 6      |  |  |  |  |
| Leiter mm <sup>2</sup> max | 25     | 25     | 25     |  |  |  |  |