

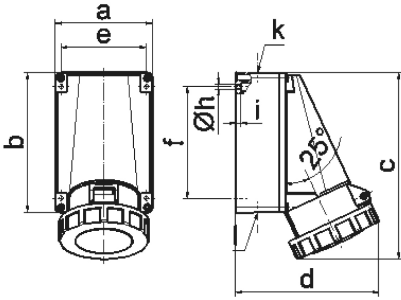
wall mounting socket outlet, chemically resistant - housing dimensions 170x118



| Product description | |
|-------------------------------|--------------------------------|
| BALS-Prd.-Nr | 11822 |
| EAN | 4024941118224 |
| product category (PG) | TE wall mounting socket outlet |
| current (A) | 63A |
| number of poles (P99) | 3p |
| number of poles (P) | 2P+PE |
| position of earth contact (H) | 6 h |
| voltage (V) | 200 up to 250V |

| Product description | |
|-----------------------------|--|
| frequency (HZ) | 50 and 60Hz |
| protection degree (SA) | IP67 |
| colour code 1 (KF1) | blue RAL 5015 |
| Colour of appliance | Bayonet ring lightbeige, Housing top lightbeige, Housing bottom lightbeige, Hinged lid blue |
| connection design (AT) | screw terminal as box terminal with Kontex-contact |
| maximum conductor size (LQ) | 25.0 qmm |
| cable entry (KE) | top entry M40, bottom entry M32 |
| Height | 228mm |
| Width | 118mm |
| Depth | 176mm |
| dimension of enclosure (GG) | 170x118 mm (HxW) |
| material of enclosure (GM) | Polycarbonate+Polyester light - beige |
| contact | The contact carrier is made of high temperature resistant material, the contacts are brass nickel plated |

| Additional technical information | |
|----------------------------------|---|
| | The cable entry is one at top open and two at bottom closed |
| | Lower part of housing rotatable by 180° |



1 MB 3

| Ampere Polzahl | 63 3 | 63 4 | 63 5 | | | |
|----------------------------|---------|---------|---------|--|--|--|
| a | 118,0 | 118,0 | 118,0 | | | |
| b | 170,0 | 170,0 | 170,0 | | | |
| c | 228,0 | 228,0 | 228,0 | | | |
| d | 176,0 | 176,0 | 176,0 | | | |
| e | 104,0 | 104,0 | 104,0 | | | |
| f | 136,0 | 136,0 | 136,0 | | | |
| h \varnothing | 6,1 | 6,1 | 6,1 | | | |
| i | 6,0 | 6,0 | 6,0 | | | |
| k | M40 | M40 | M40 | | | |
| l | M32/32 | M32/32 | M32/32 | | | |
| Leiter mm ² min | 6 | 6 | 6 | | | |
| Leiter mm ² max | 25 | 25 | 25 | | | |