

wall mounting socket outlet, chemically resistant - housing dimensions 260x160



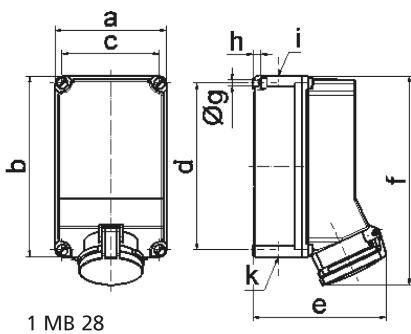
Product description	
BALS-Prd.-Nr	11802
EAN	4024941118026
product category (PG)	TE wall mounting socket outlet
current (A)	63A
number of poles (P99)	4p
number of poles (P)	3P+PE
position of earth contact (H)	7 h
voltage (V)	480 up to 500V

Product description	
frequency (HZ)	50 and 60Hz
protection degree (SA)	IP44
colour code 1 (KF1)	black RAL 9005
Colour of appliance	Hinged lid black, Housing top lightbeige, Housing bottom lightbeige, Housing screws lightbeige
connection design (AT)	screw terminal as box terminal with Kontex-contact
maximum conductor size (LQ)	25.0 qmm
cable entry (KE)	top entry M40, bottom entry M40/M32
Height	302mm
Width	160mm
Depth	192mm
dimension of enclosure (GG)	260x160 mm (HxW)
material of enclosure (GM)	Polycarbonate+Polyester light - beige
contact	The contact carrier is made of high temperature resistant material, the contacts are brass nickel plated

Additional technical information	
	The cable entry is one at top and two at bottom open

Logistics data	
Weight/pcs	1.61 kg / Piece
Packaging	Carton
Content amount	1 ST

Logistics data	
EAN	4024941118026
Length	325 mm
Width	217 mm
Height	210 mm
Weight	1.826 kg
Volume	13,588.4 ccm



Ampere Polzahl	63 3/4	63 5				
a	160,0	160,0				
b	260,0	260,0				
c	140,0	140,0				
d	240,0	240,0				
e	184,0	184,0				
f	302,0	302,0				
g ø	8,1	8,1				
h	10,0	10,0				
i	M40	M40				
k	M32/40	M32/40				
Leiter mm ² min	6	6				
Leiter mm ² max	25	25				