

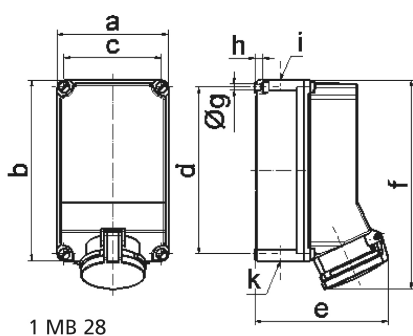
wall mounting socket outlet, chemically resistant - housing dimensions 260x160



Product description	
BALS-Prd.-Nr	11800
EAN	4024941118002
product category (PG)	TE wall mounting socket outlet
current (A)	63A
number of poles (P99)	3p
number of poles (P)	2P+PE
position of earth contact (H)	6 h
voltage (V)	200 up to 250V

Product description	
frequency (HZ)	50 and 60Hz
protection degree (SA)	IP44
colour code 1 (KF1)	blue RAL 5015
Colour of appliance	Housing top lightbeige, Housing bottom lightbeige, Hinged lid blue, Housing screws lightbeige
connection design (AT)	screw terminal as box terminal with Kontex-contact
maximum conductor size (LQ)	25.0 qmm
cable entry (KE)	top entry M40, bottom entry M40/M32
Height	302mm
Width	160mm
Depth	192mm
dimension of enclosure (GG)	260x160 mm (HxW)
material of enclosure (GM)	Polycarbonate+Polyester light - beige
contact	The contact carrier is made of high temperature resistant material, the contacts are brass nickel plated

Additional technical information	
	The cable entry is one at top and two at bottom open



Ampere	63	63					
Polzahl	3/4	5					
a	160,0	160,0					
b	260,0	260,0					
c	140,0	140,0					
d	240,0	240,0					
e	184,0	184,0					
f	302,0	302,0					
g ø	8,1	8,1					
h	10,0	10,0					
i	M40	M40					
k	M32/40	M32/40					
Leiter mm ² min	6	6					
Leiter mm ² max	25	25					