

wall mounting socket outlet, chemically resistant - housing dimensions 170x90



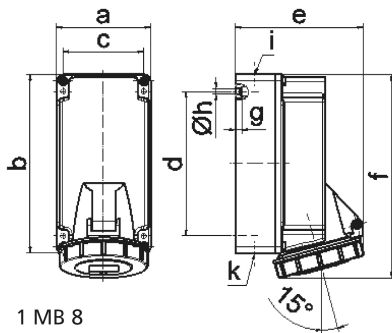
| Product description | |
|---------------------------|--|
| BALS-Prd.-Nr | 11790 |
| EAN | 4024941117906 |
| product group | TE wall mounting socket outlet Quick-Connect |
| current | 16A |
| number of poles | 4p |
| Arrangement of the phases | 3P+PE |
| position of earth contact | 9 h |
| voltage (V) | 200 up to 250V |

| Product description | |
|-----------------------------|--|
| frequency | 50 and 60Hz |
| protection degree | IP67 |
| colour code | blue RAL 5015 |
| Colour of appliance | Bayonet ring lightbeige, Housing top lightbeige, Housing bottom lightbeige, Hinged lid blue |
| connection design | screwless sping/cage/kontex |
| maximum conductor size (LQ) | 4,0 qmm |
| cable entry (KE) | top entry M20, bottom entry M25/20 |
| Height | 194mm |
| Width | 90mm |
| Depth | 115mm |
| dimension of enclosure (GG) | 170x90 mm (HxW) |
| material of enclosure | Polycarbonate - Polyethylene terephthalate light beige |
| contact | The contact carrier is made of high temperature resistant material, the contacts are brass nickel plated |

| Additional technical information | |
|----------------------------------|---|
| | The cable entry is one at top open and two at bottom closed |
| | Lower part of housing rotatable by 180° |

| Logistics data | |
|----------------|-----------------|
| Weight/pcs | 0.45 kg / Piece |

| Logistics data | |
|----------------|---------------|
| Packaging | Carton |
| Content amount | 1 ST |
| EAN | 4024941117906 |
| Length | 205 mm |
| Width | 102 mm |
| Height | 134 mm |
| Weight | 0.51 kg |
| Volume | 2,118.48 ccm |



| Ampere | 16 | 16 | 16 | | | |
|----------------------------|--------|--------|--------|--|--|--|
| Polzahl | 3 | 4 | 5 | | | |
| a | 90,0 | 90,0 | 90,0 | | | |
| b | 170,0 | 170,0 | 170,0 | | | |
| c | 77,0 | 77,0 | 77,0 | | | |
| d | 137,5 | 137,5 | 137,5 | | | |
| e | 108,0 | 115,0 | 122,0 | | | |
| f | 191,5 | 191,5 | 195,0 | | | |
| g | 6,5 | 6,5 | 6,5 | | | |
| h ø | 5,5 | 5,5 | 5,5 | | | |
| i | M20 | M20 | M20 | | | |
| k | M20/25 | M20/25 | M20/25 | | | |
| Leiter mm ² min | 1,5 | 1,5 | 1,5 | | | |
| Leiter mm ² max | 4 | 4 | 4 | | | |