

wall mounting socket outlet - 7 poles, housing dimensions 225x118



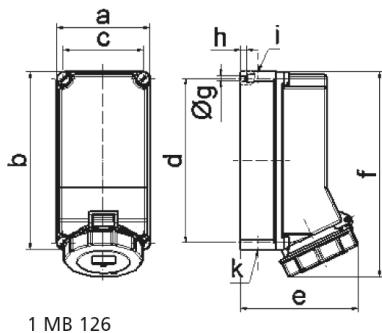
Product description	
BALS-Prd.-Nr	11714
EAN	4024941117142
product group	Wall mounting socket outlet
current	32A
number of poles	7p
Arrangement of the phases	6p+PE
position of earth contact	6 h
voltage (V)	400V

Product description	
frequency	50 and 60Hz
protection degree	IP67
colour code	red RAL 3000
Colour of appliance	Hinged lid red, Bayonet ring grey, Housing screws grey, Housing bottom grey, Housing top grey
connection design	with screw terminal
maximum conductor size (LQ)	10,0 qmm
cable entry (KE)	top entry M25/M25 bottom entry M25
Height	260mm
Width	118mm
Depth	150mm
dimension of enclosure (GG)	225x118 mm (HxW)
material of enclosure	Polycarbonate
contact	The contact carrier is made of high temperature resistant material, The contacts are brass

Additional technical information	
	The cable entry is one at top open, one at top is closed, and two at bottom are closed

Logistics data	
Weight/pcs	0.875 kg / Piece
Packaging	Carton
Content amount	1 ST

Logistics data	
EAN	4024941117142
Length	275 mm
Width	175 mm
Height	137 mm
Weight	1 kg
Volume	5,737.5 ccm



1 MB 126

Ampere	32								
Polzahl	7								
a	118,0								
b	225,0								
c	101,0								
d	208,0								
e	149,0								
f	255,0								
g Ø	6,5								
h	8,0								
i	2 x M25								
k	2 x M25								
Leiter mm ² min	2,5								
Leiter mm ² max	10								