

wall mounting socket outlet - housing dimensions 170x90

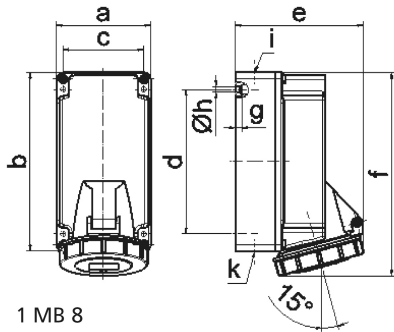


Product description	
BALS-Prd.-Nr	11630
EAN	4024941116305
product group	TE wall mounting socket outlet Quick-Connect
current	16A
number of poles	4p
Arrangement of the phases	3P+PE
position of earth contact	9 h
voltage (V)	200 up to 250V
frequency	50 and 60Hz

Product description	
protection degree	IP67
colour code	blue RAL 5015
Colour of appliance	Hinged lid blue, Bayonet ring grey, Housing bottom grey, Housing top grey
connection design	screwless spring/cage/kontex
maximum conductor size (LQ)	4,0 qmm
cable entry (KE)	top entry M20, bottom entry M25/20
Height	194mm
Width	90mm
Depth	115mm
dimension of enclosure (GG)	170x90 mm (HxW)
material of enclosure	Polycarbonate
contact	The contact carrier is made of high temperature resistant material, the contacts are brass nickel plated

Logistics data	
Weight/pcs	0.42 kg / Piece
Packaging	Carton
Content amount	1 ST
EAN	4024941116305
Length	205 mm
Width	102 mm

Logistics data	
Height	134 mm
Weight	0.48 kg
Volume	2,118.48 ccm



1 MB 8

Ampere	16	16	16			
Polzahl	3	4	5			
a	90,0	90,0	90,0			
b	170,0	170,0	170,0			
c	77,0	77,0	77,0			
d	137,5	137,5	137,5			
e	108,0	115,0	122,0			
f	191,5	191,5	195,0			
g	6,5	6,5	6,5			
h ø	5,5	5,5	5,5			
i	M20	M20	M20			
k	M20/25	M20/25	M20/25			
Leiter mm ² min	1,5	1,5	1,5			
Leiter mm ² max	4	4	4			