

wall mounting socket outlet - housing dimensions 170x118



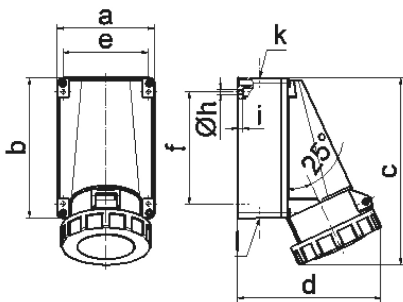
| Product description | |
|---------------------------|-----------------------------|
| BALS-Prd.-Nr | 1162 |
| EAN | 4024941011624 |
| product category | Wall mounting socket outlet |
| current | 63A |
| number of poles | 4p |
| number of poles | 3P+PE |
| position of earth contact | 7 h |
| voltage | 480 up to 500V |

| Product description | |
|------------------------|--|
| frequency | 50 and 60Hz |
| protection degree | IP67 |
| colour code | black RAL 9005 |
| Colour of appliance | Hinged lid black, Bayonet ring grey, Housing bottom grey, Housing top grey |
| connection design | screw terminal as box terminal with Kontex-contact |
| maximum conductor size | 25.0 qmm |
| cable entry | top entry M40, bottom entry M32 |
| Height | 228mm |
| Width | 118mm |
| Depth | 176mm |
| dimension of enclosure | 170x118 mm (HxW) |
| material of enclosure | Polycarbonate |
| contact | The contact carrier is made of high temperature resistant material, the contacts are brass nickel plated |

| Additional technical information | |
|----------------------------------|---|
| | The cable entry is one at top open and two at bottom closed |
| | Lower part of housing rotatable by 180° |

| Logistics data | |
|----------------|-----------------|
| Weight/pcs | 0.85 kg / Piece |

| Logistics data | |
|----------------|---------------|
| Packaging | Bag |
| Content amount | 1 ST |
| EAN | 4024941011624 |
| Length | 175 mm |
| Width | 118 mm |
| Height | 228 mm |
| Weight | 0.851 kg |
| Volume | 4,708.2 ccm |
| Packaging | Carton |
| Content amount | 5 ST |
| EAN | 4024941958509 |
| Length | 345 mm |
| Width | 345 mm |
| Height | 217 mm |
| Weight | 4.585 kg |
| Volume | 24,276 ccm |



1 MB 3

| Ampere Polzahl | 63 3 | 63 4 | 63 5 | | | |
|----------------------------|---------|---------|---------|--|--|--|
| a | 118,0 | 118,0 | 118,0 | | | |
| b | 170,0 | 170,0 | 170,0 | | | |
| c | 228,0 | 228,0 | 228,0 | | | |
| d | 176,0 | 176,0 | 176,0 | | | |
| e | 104,0 | 104,0 | 104,0 | | | |
| f | 136,0 | 136,0 | 136,0 | | | |
| h ø | 6,1 | 6,1 | 6,1 | | | |
| i | 6,0 | 6,0 | 6,0 | | | |
| k | M40 | M40 | M40 | | | |
| l | M32/32 | M32/32 | M32/32 | | | |
| Leiter mm ² min | 6 | 6 | 6 | | | |
| Leiter mm ² max | 25 | 25 | 25 | | | |