

## wall mounting socket outlet - housing dimensions 126x83



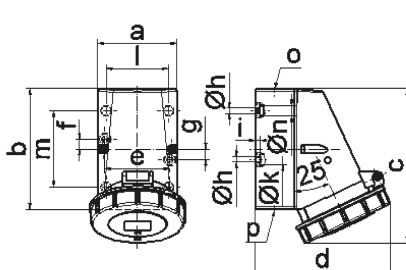
Product description	
BALS-Prd.-Nr	1155
EAN	4024941011556
product category	Wall mounting socket outlet
current	32A
number of poles	5p
number of poles	3p+N+PE
position of earth contact	6 h
voltage	200/346 up to 240/415V
frequency	50 and 60Hz

Product description	
protection degree	IP67
colour code	red RAL 3000
Colour of appliance	Hinged lid red, Bayonet ring grey, Housing bottom grey, Housing top grey
connection design	with screw terminal
maximum conductor size	10,0 qmm
cable entry	1xM25 top, 2xM25 bottom
Height	161mm
Width	101mm
Depth	141mm
dimension of enclosure	126x83 mm (HxW)
material of enclosure	Polyamide
contact	The contact carrier is made of polyamide, The contacts are brass

Additional technical information	
	The cable entry is one at top open and two at bottom closed
	Lower part of housing rotatable by 180°
	4 cut out fixing holes in the lower part of housing

Logistics data	
Weight/pcs	0.484 kg / Piece
Packaging	Bag

Logistics data	
Content amount	1 ST
EAN	4024941011556
Length	141 mm
Width	101 mm
Height	161 mm
Weight	0.485 kg
Volume	2,292.801 ccm
Packaging	Carton
Content amount	10 ST
EAN	4024941827362
Length	335 mm
Width	283 mm
Height	268 mm
Weight	5.19 kg
Volume	21,937.5 ccm



Ampere	16	16	16	32	32	32
Polzahl	3	4	5	3	4	5
a	64,0	75,0	75,0	83,0	83,0	83,0
b	87,0	100,0	100,0	126,0	126,0	126,0
c	115,0	130,0	130,0	160,0	160,0	160,0
d	103,0	110,0	115,0	129,0	129,0	135,0
e	51,0	59,0	59,0	68,0	68,0	68,0
f	20,0	11,0	11,0	11,0	11,0	11,0
g	20,0	-	-	-	-	-
h ø	4,1	5,1	5,1	5,5	5,5	5,5
i	4,5	4,5	4,5	6,5	6,5	6,5
k ø	8,0	10,0	10,0	12,0	12,0	12,0
l	-	-	-	65,0	65,0	65,0
m	-	-	-	80,0	80,0	80,0
n ø	-	-	-	10,0	10,0	10,0
o	M20	M20	M20	M25	M25	M25
p	für M20	für M20	für M20	2 x M25	2 x M25	2 x M25
Leiter mm <sup>2</sup> min	1,5	1,5	1,5	2,5	2,5	2,5
Leiter mm <sup>2</sup> max	4	4	4	10	10	10

1 MB 13