

# wall mounting socket outlet - housing dimensions 460x180



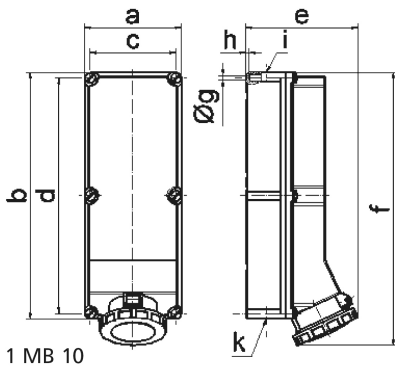
Product description	
BALS-Prd.-Nr	11477
EAN	4024941114776
product group	Wall mounting socket outlet
current	125A
number of poles	4p
Arrangement of the phases	3P+PE
position of earth contact	6 h
voltage (V)	380 up to 415V

Product description	
frequency	50 and 60Hz
protection degree	IP67
colour code	red RAL 3000
Colour of appliance	Hinged lid red, Bayonet ring grey, Housing screws grey, Housing bottom grey, Housing top grey
connection design	kontex contact
maximum conductor size (LQ)	70.0 qmm
cable entry (KE)	top entry M40, bottom entry M50/M40
Height	512mm
Width	180mm
Depth	210mm
dimension of enclosure (GG)	460x180 mm (HxW)
material of enclosure	Polycarbonate
contact	The contact carrier is made of high temperature resistant material, the contacts are brass nickel plated

Additional technical information	
	The cable entry is one at top and two at bottom open

Logistics data	
Weight/pcs	2.9 kg / Piece
Packaging	Carton
Content amount	1 ST

Logistics data	
EAN	4024941114776
Length	560 mm
Width	215 mm
Height	260 mm
Weight	3.362 kg
Volume	26,400 ccm



1 MB 10

Ampere	125	125	125			
Polzahl	3	4	5			
a	180,0	180,0	180,0			
b	460,0	460,0	460,0			
c	160,0	160,0	160,0			
d	440,0	440,0	440,0			
e	208,0	208,0	208,0			
f	510,0	510,0	510,0			
g ø	8,3	8,3	8,3			
h	6,5	6,5	6,5			
i	M40	M40	M40			
k	M40/50	M40/50	M40/50			
Leiter mm <sup>2</sup> min	25	25	25			
Leiter mm <sup>2</sup> max	70	70	70			