

wall mounting socket outlet - housing dimensions 225x118



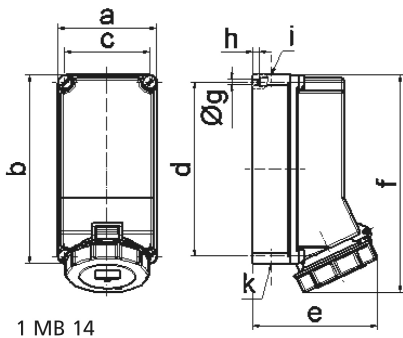
| Product description | |
|---------------------------|---|
| BALS-Prd.-Nr | 11461 |
| EAN | 4024941114615 |
| product group | Wall mounting socket outlet Quick-Connect |
| current | 32A |
| number of poles | 4p |
| Arrangement of the phases | 3P+PE |
| position of earth contact | 6 h |
| voltage (V) | 380 up to 415V |

| Product description | |
|-----------------------------|--|
| frequency | 50 and 60Hz |
| protection degree | IP67 |
| colour code | red RAL 3000 |
| Colour of appliance | Hinged lid red, Bayonet ring grey, Housing screws grey, Housing bottom grey, Housing top grey |
| connection design | screwless sping/cage/kontex |
| maximum conductor size (LQ) | 10,0 qmm |
| cable entry (KE) | top entry M25/M25 bottom entry M25 |
| Height | 260mm |
| Width | 118mm |
| Depth | 144mm |
| dimension of enclosure (GG) | 225x118 mm (HxW) |
| material of enclosure | Polycarbonate |
| contact | The contact carrier is made of high temperature resistant material, the contacts are brass nickel plated |

| Additional technical information | |
|----------------------------------|--|
| | The cable entry is one at top open, one at top is closed, and two at bottom are closed |

| Logistics data | |
|----------------|------------------|
| Weight/pcs | 0.745 kg / Piece |
| Packaging | Carton |

| Logistics data | |
|----------------|---------------|
| Content amount | 1 ST |
| EAN | 4024941114615 |
| Length | 275 mm |
| Width | 175 mm |
| Height | 137 mm |
| Weight | 0.87 kg |
| Volume | 5,737.5 ccm |



| Ampere Polzahl | 32 3 | 32 4 | 32 5 | | | | |
|----------------------------|---------|---------|---------|--|--|--|--|
| a | 118,0 | 118,0 | 118,0 | | | | |
| b | 225,0 | 225,0 | 225,0 | | | | |
| c | 101,0 | 101,0 | 101,0 | | | | |
| d | 208,0 | 208,0 | 208,0 | | | | |
| e | 143,0 | 143,0 | 149,0 | | | | |
| f | 255,0 | 255,0 | 255,0 | | | | |
| g ø | 6,5 | 6,5 | 6,5 | | | | |
| h | 8,0 | 8,0 | 8,0 | | | | |
| i | 2xM25 | 2xM25 | 2xM25 | | | | |
| k | 2xM25 | 2xM25 | 2xM25 | | | | |
| Leiter mm ² min | 2,5 | 2,5 | 2,5 | | | | |
| Leiter mm ² max | 10 | 10 | 10 | | | | |