

# wall mounting socket outlet - housing dimensions 260x160



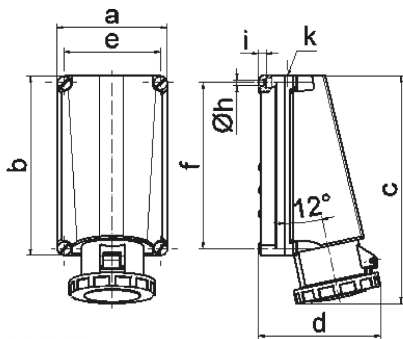
| Product description       |                             |
|---------------------------|-----------------------------|
| BALS-Prd.-Nr              | 11443                       |
| EAN                       | 4024941114431               |
| product group             | Wall mounting socket outlet |
| current                   | 125A                        |
| number of poles           | 4p                          |
| Arrangement of the phases | 3P+PE                       |
| position of earth contact | 10 h                        |
| voltage (V)               | > 50V                       |

| Product description         |  |
|-----------------------------|--|
| frequency                   | 100 up to 300Hz  |
| protection degree           | IP67   |
| colour code                 | green RAL 6002   |
| Colour of appliance         | Hinged lid green, Bayonet ring grey, Housing screws grey, Housing bottom grey, Housing top grey          |
| connection design           | kontex contact   |
| maximum conductor size (LQ) | 70.0 qmm   |
| cable entry (KE)            | 1xM50 from above   |
| Height                      | 332mm  |
| Width                       | 160mm  |
| Depth                       | 168mm  |
| dimension of enclosure (GG) | 260x160 mm (HxW)   |
| material of enclosure       | Polycarbonate  |
| contact                     | The contact carrier is made of high temperature resistant material, the contacts are brass nickel plated |

| Additional technical information |                                    |
|----------------------------------|------------------------------------|
|                                  | The cable entry is one at top open |

| Logistics data |                  |
|----------------|------------------|
| Weight/pcs     | 1.965 kg / Piece |
| Packaging      | Carton           |
| Content amount | 1 ST             |

| Logistics data |               |
|----------------|---------------|
| EAN            | 4024941114431 |
| Length         | 440 mm        |
| Width          | 225 mm        |
| Height         | 165 mm        |
| Weight         | 2.193 kg      |
| Volume         | 13,545 ccm    |



| Ampere Polzahl             | 125<br>3 | 125<br>4 | 125<br>5 |  |  |  |
|----------------------------|----------|----------|----------|--|--|--|
| a                          | 160,0    | 160,0    | 160,0    |  |  |  |
| b                          | 260,0    | 260,0    | 260,0    |  |  |  |
| c                          | 330,0    | 330,0    | 330,0    |  |  |  |
| d                          | 168,0    | 168,0    | 168,0    |  |  |  |
| e                          | 140,0    | 140,0    | 140,0    |  |  |  |
| f                          | 240,0    | 240,0    | 240,0    |  |  |  |
| h ø                        | 8,3      | 8,3      | 8,3      |  |  |  |
| i                          | 10,0     | 10,0     | 10,0     |  |  |  |
| k                          | M50      | M50      | M50      |  |  |  |
| Leiter mm <sup>2</sup> min | 25       | 25       | 25       |  |  |  |
| Leiter mm <sup>2</sup> max | 70       | 70       | 70       |  |  |  |
|                            |          |          |          |  |  |  |
|                            |          |          |          |  |  |  |