

wall mounting socket outlet - housing dimensions 100x75



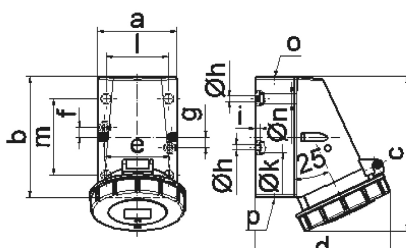
Product description	
BALS-Prd.-Nr	1142
EAN	4024941011426
product category	Wall mounting socket outlet
current	16A
number of poles	5p
number of poles	3p+N+PE
position of earth contact	9 h
voltage	120/208 up to 144/250V
frequency	50 and 60Hz

Product description	
protection degree	IP67
colour code	blue RAL 5015
Colour of appliance	Hinged lid blue, Bayonet ring grey, Housing bottom grey, Housing top grey
connection design	with screw terminal
maximum conductor size	4,0 qmm
cable entry	top entry M20
Height	134mm
Width	86mm
Depth	120mm
dimension of enclosure	100x75 mm (HxW)
material of enclosure	Polyamide
contact	The contact carrier is made of polyamide, The contacts are brass

Additional technical information	
	The cable entry is one at top open and one at bottom and one rear side closed
	Lower part of housing rotatable by 180°

Logistics data	
Weight/pcs	0.322 kg / Piece
Packaging	Bag
Content amount	1 ST

Logistics data	
EAN	4024941011426
Length	120 mm
Width	86 mm
Height	134 mm
Weight	0.323 kg
Volume	1,382.88 ccm
Packaging	Carton
Content amount	10 ST
EAN	4024941959902
Length	387 mm
Width	222 mm
Height	150 mm
Weight	3.413 kg
Volume	11,029.5 ccm



Ampere	16	16	16	32	32	32
Polzahl	3	4	5	3	4	5
a	64,0	75,0	75,0	83,0	83,0	83,0
b	87,0	100,0	100,0	126,0	126,0	126,0
c	115,0	130,0	130,0	160,0	160,0	160,0
d	103,0	110,0	115,0	129,0	129,0	135,0
e	51,0	59,0	59,0	68,0	68,0	68,0
f	20,0	11,0	11,0	11,0	11,0	11,0
g	20,0	-	-	-	-	-
h	4,1	5,1	5,1	5,5	5,5	5,5
i	4,5	4,5	4,5	6,5	6,5	6,5
k	8,0	10,0	10,0	12,0	12,0	12,0
l	-	-	-	65,0	65,0	65,0
m	-	-	-	80,0	80,0	80,0
n	-	-	-	10,0	10,0	10,0
o	M20	M20	M20	M25	M25	M25
p	für M20	für M20	für M20	2 x M25	2 x M25	2 x M25
Leiter mm ² min	1,5	1,5	1,5	2,5	2,5	2,5
Leiter mm ² max	4	4	4	10	10	10

1 MB 13