

wall mounting socket outlet - housing dimensions 100x75



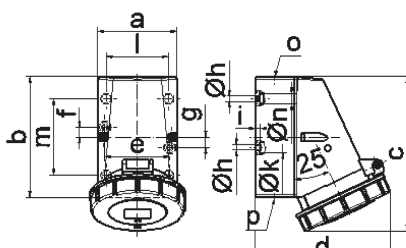
Product description	
BALS-Prd.-Nr	1139
EAN	4024941011396
product category	Wall mounting socket outlet
current	16A
number of poles	4p
number of poles	3P+PE
position of earth contact	10 h
voltage	> 50V
frequency	100 up to 300Hz

Product description	
protection degree	IP67
colour code	green RAL 6002
Colour of appliance	Hinged lid green, Bayonet ring grey, Housing bottom grey, Housing top grey
connection design	with screw terminal
maximum conductor size	4,0 qmm
cable entry	top entry M20
Height	131mm
Width	79mm
Depth	115mm
dimension of enclosure	100x75 mm (HxW)
material of enclosure	Polyamide
contact	The contact carrier is made of polyamide, The contacts are brass

Additional technical information	
	The cable entry is one at top open and one at bottom and one rear side closed
	Lower part of housing rotatable by 180°

Logistics data	
Weight/pcs	0.262 kg / Piece
Packaging	Bag
Content amount	1 ST

Logistics data	
EAN	4024941011396
Length	115 mm
Width	79 mm
Height	131 mm
Weight	0.263 kg
Volume	1,190.135 ccm
Packaging	Carton
Content amount	10 ST
EAN	4024941959896
Length	387 mm
Width	222 mm
Height	150 mm
Weight	2.813 kg
Volume	11,029.5 ccm



Ampere	16	16	16	32	32	32
Polzahl	3	4	5	3	4	5
a	64,0	75,0	75,0	83,0	83,0	83,0
b	87,0	100,0	100,0	126,0	126,0	126,0
c	115,0	130,0	130,0	160,0	160,0	160,0
d	103,0	110,0	115,0	129,0	129,0	135,0
e	51,0	59,0	59,0	68,0	68,0	68,0
f	20,0	11,0	11,0	11,0	11,0	11,0
g	20,0	-	-	-	-	-
h ø	4,1	5,1	5,1	5,5	5,5	5,5
i	4,5	4,5	4,5	6,5	6,5	6,5
k ø	8,0	10,0	10,0	12,0	12,0	12,0
l	-	-	-	65,0	65,0	65,0
m	-	-	-	80,0	80,0	80,0
n ø	-	-	-	10,0	10,0	10,0
o	M20	M20	M20	M25	M25	M25
p	für M20	für M20	für M20	2 x M25	2 x M25	2 x M25
Leiter mm ² min	1,5	1,5	1,5	2,5	2,5	2,5
Leiter mm ² max	4	4	4	10	10	10

1 MB 13