

## wall mounting socket outlet - housing dimensions 100x75



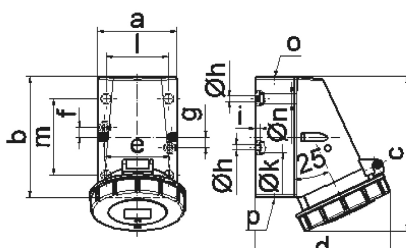
| Product description       |                             |
|---------------------------|-----------------------------|
| BALS-Prd.-Nr              | 1137                        |
| EAN                       | 4024941011372               |
| product category          | Wall mounting socket outlet |
| current                   | 16A                         |
| number of poles           | 4p                          |
| number of poles           | 3P+PE                       |
| position of earth contact | 6 h                         |
| voltage                   | 380 up to 415V              |
| frequency                 | 50 and 60Hz                 |

| Product description    |  |
|------------------------|--|
| protection degree      | IP67   |
| colour code            | red RAL 3000   |
| Colour of appliance    | Hinged lid red, Bayonet ring grey, Housing bottom grey, Housing top grey |
| connection design      | with screw terminal  |
| maximum conductor size | 4,0 qmm  |
| cable entry            | top entry M20  |
| Height                 | 131mm  |
| Width                  | 79mm   |
| Depth                  | 115mm  |
| dimension of enclosure | 100x75 mm (HxW)  |
| material of enclosure  | Polyamide  |
| contact                | The contact carrier is made of polyamide, The contacts are brass         |

| Additional technical information |   |
|----------------------------------|---|
|                                  | The cable entry is one at top open and one at bottom and one rear side closed |
|                                  | Lower part of housing rotatable by 180°                                       |

| Logistics data |                  |
|----------------|------------------|
| Weight/pcs     | 0.286 kg / Piece |
| Packaging      | Bag              |
| Content amount | 1 ST             |

| Logistics data |               |
|----------------|---------------|
| EAN            | 4024941011372 |
| Length         | 115 mm        |
| Width          | 79 mm         |
| Height         | 131 mm        |
| Weight         | 0.287 kg      |
| Volume         | 1,190.135 ccm |
| Packaging      | Carton        |
| Content amount | 10 ST         |
| EAN            | 4024941827324 |
| Length         | 387 mm        |
| Width          | 222 mm        |
| Height         | 150 mm        |
| Weight         | 3.053 kg      |
| Volume         | 11,029.5 ccm  |



| Ampere                     | 16      | 16      | 16      | 32      | 32      | 32      |
|----------------------------|---------|---------|---------|---------|---------|---------|
| Polzahl                    | 3       | 4       | 5       | 3       | 4       | 5       |
| a                          | 64,0    | 75,0    | 75,0    | 83,0    | 83,0    | 83,0    |
| b                          | 87,0    | 100,0   | 100,0   | 126,0   | 126,0   | 126,0   |
| c                          | 115,0   | 130,0   | 130,0   | 160,0   | 160,0   | 160,0   |
| d                          | 103,0   | 110,0   | 115,0   | 129,0   | 129,0   | 135,0   |
| e                          | 51,0    | 59,0    | 59,0    | 68,0    | 68,0    | 68,0    |
| f                          | 20,0    | 11,0    | 11,0    | 11,0    | 11,0    | 11,0    |
| g                          | 20,0    | -       | -       | -       | -       | -       |
| h                          | 4,1     | 5,1     | 5,1     | 5,5     | 5,5     | 5,5     |
| i                          | 4,5     | 4,5     | 4,5     | 6,5     | 6,5     | 6,5     |
| k                          | 8,0     | 10,0    | 10,0    | 12,0    | 12,0    | 12,0    |
| l                          | -       | -       | -       | 65,0    | 65,0    | 65,0    |
| m                          | -       | -       | -       | 80,0    | 80,0    | 80,0    |
| n                          | -       | -       | -       | 10,0    | 10,0    | 10,0    |
| o                          | M20     | M20     | M20     | M25     | M25     | M25     |
| p                          | für M20 | für M20 | für M20 | 2 x M25 | 2 x M25 | 2 x M25 |
| Leiter mm <sup>2</sup> min | 1,5     | 1,5     | 1,5     | 2,5     | 2,5     | 2,5     |
| Leiter mm <sup>2</sup> max | 4       | 4       | 4       | 10      | 10      | 10      |

1 MB 13