

wall mounting socket outlet - housing dimensions 100x75



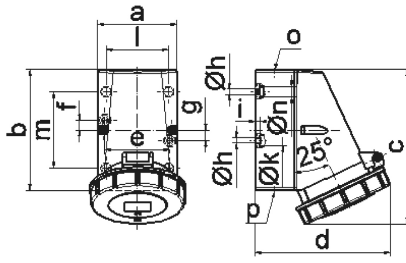
Product description	
BALS-Prd.-Nr	11342
EAN	4024941113427
product category (PG)	Wall mounting socket outlet
current (A)	16A
number of poles (P99)	5p
number of poles (P)	3p+N+PE
position of earth contact (H)	2 h
voltage (V)	> 50V
frequency (HZ)	over 300 up to 500Hz

Product description	
protection degree (SA)	IP67
colour code 1 (KF1)	green RAL 6002
Colour of appliance	Hinged lid green, Bayonet ring grey, Housing bottom grey, Housing top grey
connection design (AT)	with screw terminal
maximum conductor size (LQ)	4,0 qmm
cable entry (KE)	top entry M20
Height	134mm
Width	86mm
Depth	120mm
dimension of enclosure (GG)	100x75 mm (HxW)
material of enclosure (GM)	Polyamide
contact	The contact carrier is made of polyamide, The contacts are brass

Additional technical information	
	The cable entry is one at top open and one at bottom and one rear side closed
	Lower part of housing rotatable by 180°

Logistics data	
Weight/pcs	0.297 kg / Piece
Packaging	Carton
Content amount	10 ST

Logistics data	
EAN	4024941827454
Length	387 mm
Width	222 mm
Height	150 mm
Weight	3.163 kg
Volume	11,029.5 ccm



Ampere Polzahl	16 3	16 4	16 5	32 3	32 4	32 5
a	64,0	75,0	75,0	83,0	83,0	83,0
b	87,0	100,0	100,0	126,0	126,0	126,0
c	115,0	130,0	130,0	160,0	160,0	160,0
d	103,0	110,0	115,0	129,0	129,0	135,0
e	51,0	59,0	59,0	68,0	68,0	68,0
f	20,0	11,0	11,0	11,0	11,0	11,0
g	20,0	-	-	-	-	-
h	4,1	5,1	5,1	5,5	5,5	5,5
i	4,5	4,5	4,5	6,5	6,5	6,5
k	8,0	10,0	10,0	12,0	12,0	12,0
l	-	-	-	65,0	65,0	65,0
m	-	-	-	80,0	80,0	80,0
n	-	-	-	10,0	10,0	10,0
o	M20	M20	M20	M25	M25	M25
p	für M20	für M20	für M20	2 x M25	2 x M25	2 x M25
Leiter mm ² min	1,5	1,5	1,5	2,5	2,5	2,5
Leiter mm ² max	4	4	4	10	10	10

1 MB 13