

wall mounting socket outlet - housing dimensions 225x118



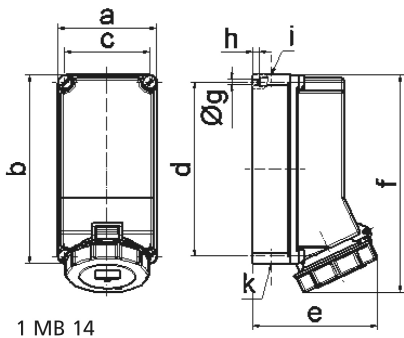
Product description	
BALS-Prd.-Nr	11156
EAN	4024941111560
product group	TE wall mounting socket outlet Quick-Connect
current	32A
number of poles	4p
Arrangement of the phases	3P+PE
position of earth contact	7 h
voltage (V)	480 up to 500V

Product description	
frequency	50 and 60Hz
protection degree	IP67
colour code	black RAL 9005
Colour of appliance	Hinged lid black, Bayonet ring grey, Housing screws grey, Housing bottom grey, Housing top grey
connection design	screwless sping/cage/kontex
maximum conductor size (LQ)	10,0 qmm
cable entry (KE)	top entry M25/M25 bottom entry M25
Height	260mm
Width	118mm
Depth	144mm
dimension of enclosure (GG)	225x118 mm (HxW)
material of enclosure	Polycarbonate
contact	The contact carrier is made of high temperature resistant material, the contacts are brass nickel plated

Additional technical information	
	The cable entry is one at top open, one at top is closed, and two at bottom are closed

Logistics data	
Weight/pcs	0.74 kg / Piece
Packaging	Carton

Logistics data	
Content amount	1 ST
EAN	4024941111560
Length	275 mm
Width	175 mm
Height	137 mm
Weight	0.865 kg
Volume	5,737.5 ccm



Ampere Polzahl	32 3	32 4	32 5				
a	118,0	118,0	118,0				
b	225,0	225,0	225,0				
c	101,0	101,0	101,0				
d	208,0	208,0	208,0				
e	143,0	143,0	149,0				
f	255,0	255,0	255,0				
g ø	6,5	6,5	6,5				
h	8,0	8,0	8,0				
i	2xM25	2xM25	2xM25				
k	2xM25	2xM25	2xM25				
Leiter mm ² min	2,5	2,5	2,5				
Leiter mm ² max	10	10	10				