

# wall mounting socket outlet - housing dimensions 260x160



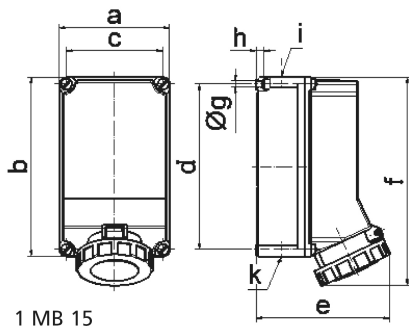
Product description	
BALS-Prd.-Nr	110489
EAN	4024941197137
product group	TE wall mounting socket outlet Quick-Connect
current	63A
number of poles	5p
Arrangement of the phases	3p+N+PE
position of earth contact	6 h
voltage (V)	200/346 up to 240/415V

Product description	
frequency	50 and 60Hz
protection degree	IP67
colour code	red RAL 3000
Colour of appliance	Hinged lid red, Bayonet ring grey, Housing screws grey, Housing bottom grey, Housing top grey
connection design	screwless spring terminal
maximum conductor size (LQ)	25.0 qmm
cable entry (KE)	top entry M40, bottom entry M40/M32
Height	304mm
Width	160mm
Depth	195mm
dimension of enclosure (GG)	260x160 mm (HxW)
material of enclosure	Polycarbonate
contact	The contact carrier is made of high temperature resistant material, the contacts are brass nickel plated

Additional technical information	
	The cable entry is one at top and two at bottom open

Logistics data	
Weight/pcs	1.69 kg / Piece
Packaging	Carton
Content amount	1 ST

Logistics data	
EAN	4024941197137
Length	325 mm
Width	217 mm
Height	210 mm
Weight	1.906 kg
Volume	13,588.4 ccm



Ampere Polzahl	63 3/4	63 5				
a	160,0	160,0				
b	260,0	260,0				
c	140,0	140,0				
d	240,0	240,0				
e	195,0	195,0				
f	304,0	304,0				
g ø	8,1	8,1				
h	10,0	10,0				
i	M40	M40				
k	M32/40	M32/40				
Leiter mm <sup>2</sup> min	6	6				
Leiter mm <sup>2</sup> max	25	25				