

## wall mounting socket outlet - housing dimensions 260x160



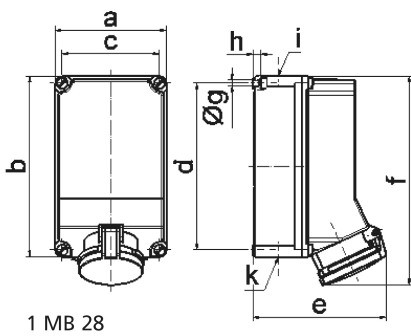
| Product description       |                                              |
|---------------------------|----------------------------------------------|
| BALS-Prd.-Nr              | 110486                                       |
| EAN                       | 4024941197106                                |
| product group             | TE wall mounting socket outlet Quick-Connect |
| current                   | 63A                                          |
| number of poles           | 4p                                           |
| Arrangement of the phases | 3P+PE                                        |
| position of earth contact | 6 h                                          |
| voltage (V)               | 380 up to 415V                               |

| Product description         |                                                                                                          |
|-----------------------------|----------------------------------------------------------------------------------------------------------|
| frequency                   | 50 and 60Hz                                                                                              |
| protection degree           | IP44                                                                                                     |
| colour code                 | red RAL 3000                                                                                             |
| Colour of appliance         | Hinged lid red, Housing screws grey, Housing bottom grey, Housing top grey                               |
| connection design           | screwless spring terminal                                                                                |
| maximum conductor size (LQ) | 25.0 qmm                                                                                                 |
| cable entry (KE)            | top entry M40, bottom entry M40/M32                                                                      |
| Height                      | 302mm                                                                                                    |
| Width                       | 160mm                                                                                                    |
| Depth                       | 192mm                                                                                                    |
| dimension of enclosure (GG) | 260x160 mm (HxW)                                                                                         |
| material of enclosure       | Polycarbonate                                                                                            |
| contact                     | The contact carrier is made of high temperature resistant material, the contacts are brass nickel plated |

| Additional technical information |                                                      |
|----------------------------------|------------------------------------------------------|
|                                  | The cable entry is one at top and two at bottom open |

| Logistics data |                |
|----------------|----------------|
| Weight/pcs     | 0.0 kg / Piece |
| Packaging      | Carton         |
| Content amount | 1 ST           |

| Logistics data |               |
|----------------|---------------|
| EAN            | 4024941197106 |
| Length         | 325 mm        |
| Width          | 217 mm        |
| Height         | 210 mm        |
| Weight         | 0.216 kg      |
| Volume         | 13,588.4 ccm  |



| Ampere Polzahl             | 63<br>3/4 | 63<br>5 |  |  |  |  |
|----------------------------|-----------|---------|--|--|--|--|
| a                          | 160,0     | 160,0   |  |  |  |  |
| b                          | 260,0     | 260,0   |  |  |  |  |
| c                          | 140,0     | 140,0   |  |  |  |  |
| d                          | 240,0     | 240,0   |  |  |  |  |
| e                          | 184,0     | 184,0   |  |  |  |  |
| f                          | 302,0     | 302,0   |  |  |  |  |
| g ø                        | 8,1       | 8,1     |  |  |  |  |
| h                          | 10,0      | 10,0    |  |  |  |  |
| i                          | M40       | M40     |  |  |  |  |
| k                          | M32/40    | M32/40  |  |  |  |  |
| Leiter mm <sup>2</sup> min | 6         | 6       |  |  |  |  |
| Leiter mm <sup>2</sup> max | 25        | 25      |  |  |  |  |