

housing dimensions 87x64



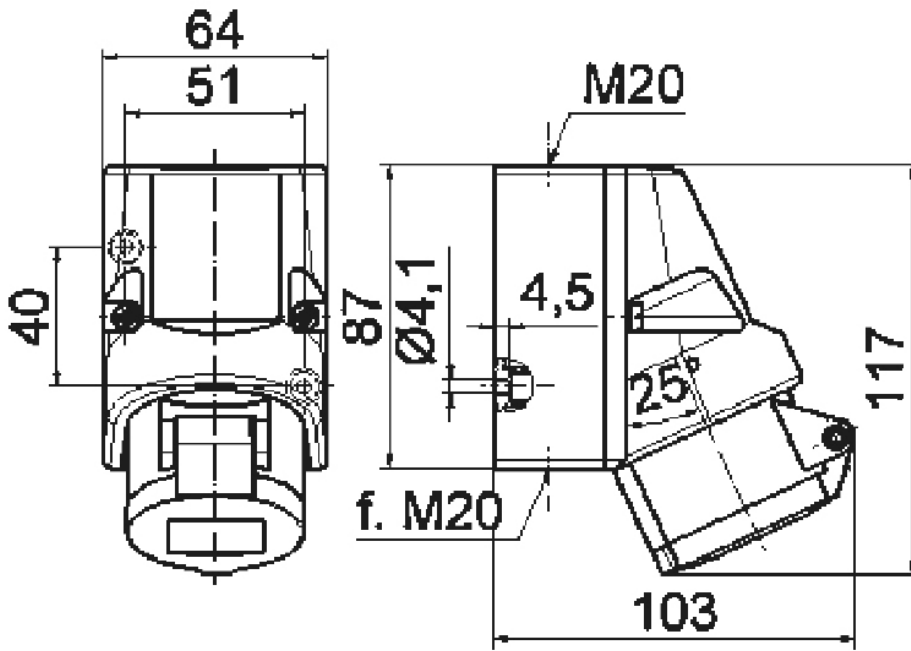
Product description	
BALS-Prd.-Nr	11032
EAN	4024941110327
product group	Wall mounting socket outlet
current	16A
number of poles	3p
Arrangement of the phases	2P+PE
position of earth contact	3 h
voltage (V)	over 50 up to 250V
frequency	direct current (DC)

Product description	
protection degree	IP44
colour code	gray RAL 7035
Colour of appliance	Hinged lid grey, Housing bottom grey, Housing top grey, Collar grey
connection design	with screw terminal
maximum conductor size (LQ)	4,0 qmm
cable entry (KE)	top entry M20
Height	118mm
Width	64mm
Depth	104mm
dimension of enclosure (GG)	87x64 mm (HxW)
material of enclosure	Polyamide
contact	The contact carrier is made of polyamide, the contacts are brass nickel plated

Additional technical information	
	The cable entry is one at top open and one at bottom and one rear side closed
	Lower part of housing rotatable by 180°

Logistics data	
Weight/pcs	0.196 kg / Piece
Packaging	Bag
Content amount	1 ST

Logistics data	
EAN	4024941110327
Length	103 mm
Width	64 mm
Height	87 mm
Weight	0.197 kg
Volume	573.504 ccm
Packaging	Carton
Content amount	10 ST
EAN	4024941819862
Length	258 mm
Width	183 mm
Height	212 mm
Weight	2.112 kg
Volume	8,750 ccm



1 MB 35