

wall mounting socket outlet - housing dimensions 260x160



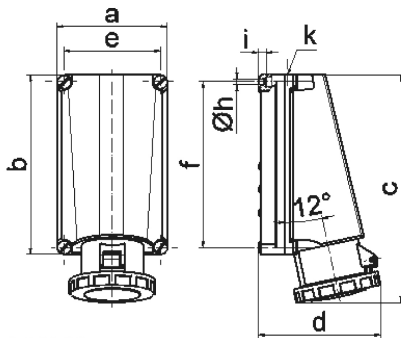
Product description	
BALS-Prd.-Nr	110140
EAN	4024941966450
product category (PG)	TE wall mounting socket outlet
current (A)	125A
number of poles (P99)	5p
number of poles (P)	3p+N+PE
position of earth contact (H)	1 h

Product description	
voltage (V)	>50V for all other not classified voltages and/or frequencies. This time position can additionally process in special applications, in which a distinction to standardized positions needed to be used.
protection degree (SA)	IP67
colour code 1 (KF1)	gray RAL 7035
Colour of appliance	Hinged lid grey, Bayonet ring grey, Housing screws grey, Housing bottom grey, Housing top grey
connection design (AT)	screw terminal as box terminal with Kontex-contact
maximum conductor size (LQ)	70.0 qmm
cable entry (KE)	1xM50 from above
Height	332mm
Width	160mm
Depth	168mm
dimension of enclosure (GG)	260x160 mm (HxW)
material of enclosure (GM)	Polycarbonate
contact	The contact carrier is made of high temperature resistant material, the contacts are brass nickel plated

Additional technical information	
	The cable entry is one at top open

Logistics data	
Weight/pcs	2.73 kg / Piece
Packaging	Carton

Logistics data	
Content amount	1 ST
EAN	4024941966450
Length	440 mm
Width	225 mm
Height	165 mm
Weight	2.958 kg
Volume	13,545 ccm



1 MB 20

Ampere Polzahl	125 3	125 4	125 5			
a	160,0	160,0	160,0			
b	260,0	260,0	260,0			
c	330,0	330,0	330,0			
d	168,0	168,0	168,0			
e	140,0	140,0	140,0			
f	240,0	240,0	240,0			
h ø	8,3	8,3	8,3			
i	10,0	10,0	10,0			
k	M50	M50	M50			
Leiter mm ² min	25	25	25			
Leiter mm ² max	70	70	70			