

## wall mounting socket outlet, chemically resistant - housing dimensions 225x118



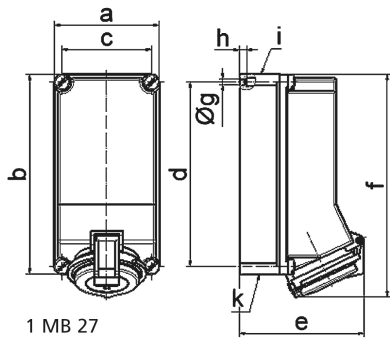
Product description	
BALS-Prd.-Nr	110098
EAN	4024941070225
product group	TE wall mounting socket outlet Quick-Connect
current	16A
number of poles	5p
Arrangement of the phases	3p+N+PE
position of earth contact	6 h
voltage (V)	200/346 up to 240/415V

Product description	
frequency	50 and 60Hz
protection degree	IP44
colour code	red RAL 3000
Colour of appliance	Housing top lightbeige, Hinged lid red, Housing bottom lightbeige, Housing screws lightbeige
connection design	screwless sping/cage/kontex
maximum conductor size (LQ)	4,0 qmm
cable entry (KE)	top entry M25/M25 bottom entry M25
Height	243mm
Width	118mm
Depth	130mm
dimension of enclosure (GG)	225x118 mm (HxW)
material of enclosure	Polycarbonate - Polyethylene terephthalate light beige
contact	The contact carrier is made of high temperature resistant material, the contacts are brass nickel plated

Additional technical information	
	The cable entry is one at top open, one at top is closed, and two at bottom are closed

Logistics data	
Weight/pcs	0.0 kg / Piece
Packaging	Carton

Logistics data	
Content amount	1 ST
EAN	4024941070225
Length	275 mm
Width	175 mm
Height	137 mm
Weight	0.125 kg
Volume	5,737.5 ccm



Ampere	16	32	32	32			
Polzahl	5	3	4	5			
a	118,0	118,0	118,0	118,0			
b	225,0	225,0	225,0	225,0			
c	101,0	101,0	101,0	101,0			
d	208,0	208,0	208,0	208,0			
e	130,0	125,0	125,0	141,0			
f	242,0	250,0	250,0	250,0			
g ø	6,5	6,5	6,5	6,5			
h	8,0	8,0	8,0	8,0			
i	2 x M25	2 x M25	2 x M25	2 x M25			
k	2 x M25	2 x M25	2 x M25	2 x M25			
Leiter mm <sup>2</sup> min	1,5	2,5	2,5	2,5			
Leiter mm <sup>2</sup> max	4	10	10	10			