

combination wall mounting socket outlet - with terminals ready wired for installation with fuse base

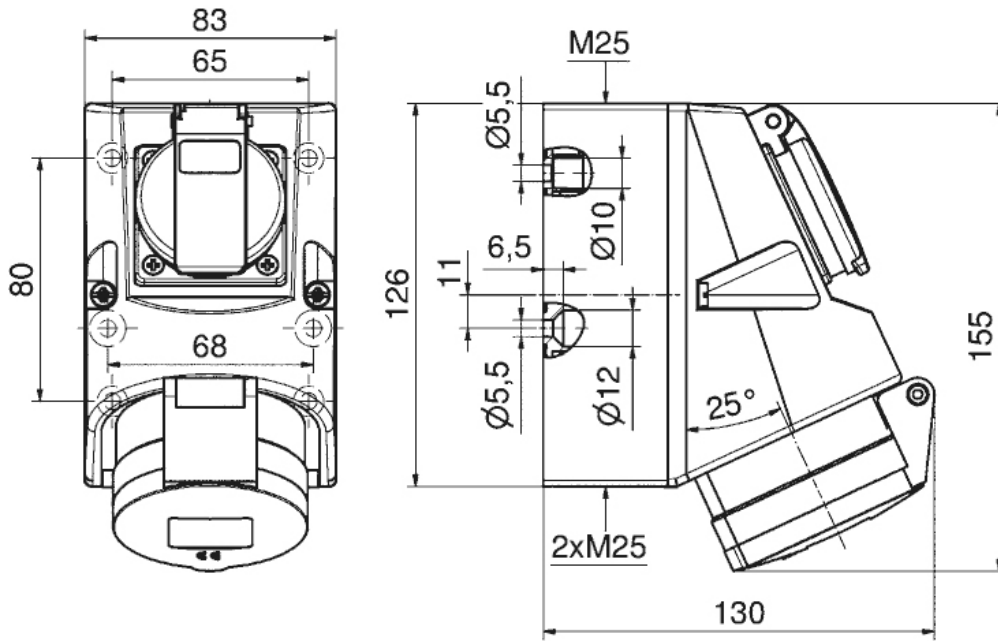


Product description	
BALS-Prd.-Nr	109-QC
EAN	4024941948845
product group	Combined wall mounting socket outlet Quick-Connect
current	16A
number of poles	5p
Arrangement of the phases	3p+N+PE
position of earth contact	6 h
voltage (V)	200/346 up to 240/415V

Product description	
frequency	50 and 60Hz
protection degree	IP44
colour code	red RAL 3000
Colour of appliance	Hinged lid of domestic socket is blue., Hinged lid red, Housing bottom grey, Housing top grey, Collar grey
connection design	screwless sping/cage/kontex
maximum conductor size (LQ)	4,0 qmm
cable entry (KE)	1xM25 top, 2xM25 bottom
Height	155mm
Width	83mm
Depth	130mm
dimension of enclosure (GG)	126x83 mm (HxW)
material of enclosure	Polyamide
contact	The contact carrier is made of polyamide, The contacts are brass

Additional technical information	
	The cable entry is one at top open and two at bottom closed, With integrated Schuko-type socket outlet 16A 230V AC German standard
	4 cut out fixing holes in the lower part of housing
	with fuse base 5x20 mm DIN 41671, type 1862, With 3x6mm ² terminals with wiring

Logistics data	
Weight/pcs	0.472 kg / Piece
Packaging	Bag
Content amount	1 ST
EAN	4024941948845
Length	130 mm
Width	83 mm
Height	155 mm
Weight	0.473 kg
Volume	1,672.45 ccm
Packaging	Carton
Content amount	10 ST
EAN	4024941828260
Length	330 mm
Width	216 mm
Height	260 mm
Weight	4.946 kg
Volume	17,062.5 ccm



1 MB 122